

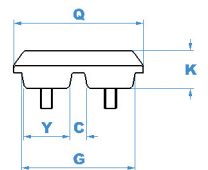
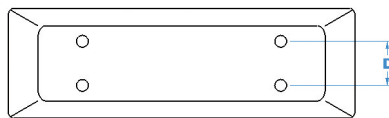
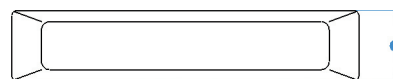
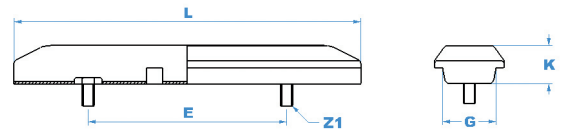
RUBBER PAD ASSORTMENT

Rubber pads are an excellent alternative to steel pads to prevent soil damage. They are easy to install on a machine's chain or track plates. VemaTrack™ supplies rubber pads for various applications. Each rubber pad is individually vulcanised with a metal core.

VEMATRAK™ BOLT-ON RUBBER PADS

VemaTrack™ Bolt-on rubber pads can be screwed onto the track plates. To this end, additional holes have to be made in the track plate. VemaTrack™ provides track plates with holes for the bolt-on pads in order to provide a complete solution.

Bolt-on pads are supplied with bolts and nuts.

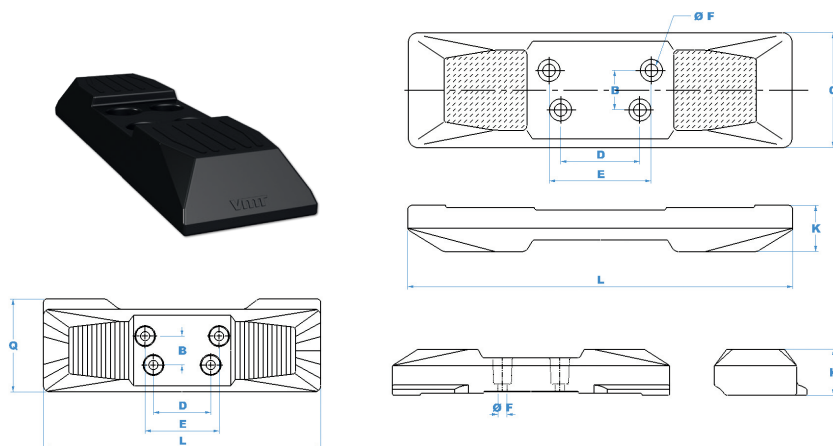


Product code	Link pitch	L	E	D	Q	K	Y	C	G
+208091	90,00	230,00	150,00	0,00	70,00	38,00	0,00	0,00	54,00
+208002	101,60	300,00	200,00	0,00	70,00	38,00	0,00	0,00	54,00
+204133	135,00	400,00	300,00	46,00	106,00	39,00	46,00	13,00	90,00
+208439	154,00	450,00	350,00	58,00	124,00	41,00	41,00	16,00	106,00
+221158	154,00	450,00	350,00	58,00	125,00	46,00	41,20	17,00	108,70
+202947	171,00	500,00	400,00	60,00	137,00	56,00	44,00	20,00	108,00
+218567	171,00	500,00	400,00	60,00	135,00	53,00	42,80	21,00	108,00
+221601	171,00	600,00	500,00	60,00	130,00	53,00	43,50	20,00	108,50
+209081	171,00	700,00	600,00	60,00	132,00	54,00	41,80	22,00	111,30
+222588	175,00	500,00	400,00	57,00	120,00	54,00	39,50	19,00	104,00

VEMATrack™ CHAIN-ON RUBBER PADS

VemaTrack™ chain-on pads are installed directly on the chain. The VemaTrack™ chain-on pads have an excellent price/quality ratio. In addition to the standard chain-on pads, we also supply HD VGRIP chain-on pads.

Chain-on pads are supplied with bolts and nuts.



Product code	Link pitch	L	E	D	B	Q	K	ØF
+183626	135,00	400,00	104,00	80,00	46,00	125,00	52,00	13,10
+180138	140,00	400,00	86,00	86,00	52,00	145,00	54,00	12,50
+171387	140,00	450,00	86,00	86,00	52,00	145,00	54,00	12,50
+213498	140,00	500,00	86,00	86,00	52,00	145,00	54,00	12,50
+218562	154,00	450,00	89,00	73,00	57,00	145,00	78,00	15,00
+198389	154,00	600,00	89,00	73,00	57,00	146,00	56,00	14,50
+163439	154,00	450,00	90,00	90,00	55,00	146,00	56,00	14,50
+179876	154,00	450,00	89,00	73,00	57,00	146,00	52,00	14,30
+221778	155,60	450,00	104,80	88,90	54,80	146,00	56,00	14,50
+184254	171,00	500,00	108,00	108,00	60,30	162,00	66,00	16,30
+218557	171,00	500,00	108,00	108,00	60,30	160,00	65,00	16,30
+181065	171,00	600,00	108,00	108,00	60,30	162,00	65,00	16,30
+218564	171,00	600,00	108,00	108,00	60,30	160,00	65,00	16,30
+213374	171,00	700,00	108,00	108,00	60,30	162,00	66,00	16,30
+183053	175,00	500,00	102,00	86,00	57,00	162,00	69,00	16,30
+218565	175,00	500,00	102,00	86,40	57,00	160,00	65,00	16,50
+208949	175,00	600,00	102,00	86,00	57,00	162,00	66,00	16,50
+222582	190,00	500,00	160,00	124,00	62,00	178,00	76,00	20,30
+181069	190,00	600,00	155,00	119,00	69,00	178,00	72,00	21,30
+181068	190,00	600,00	160,00	124,00	62,00	178,00	72,00	20,30
+218566	190,00	600,00	160,00	124,00	62,00	178,00	70,00	20,50

HD VGRIP CHAIN-ON RUBBER PADS

HD VGRIP chain-on rubber pads are even more wear-resistant than standard VemaTrack™ chain-on pads. These rubber pads also have an extension at the front (VGRIP), which prevents materials such as sand, stones and gravel from getting into the undercarriage.

HD VGRIP Chain-on pads are supplied with bolts and nuts.

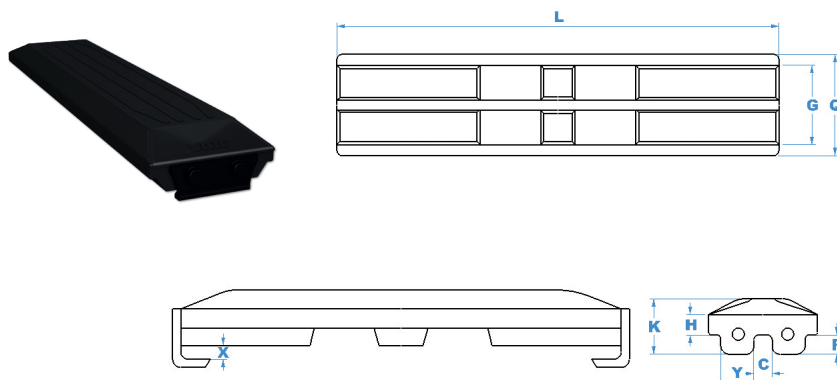


Product code	Link pitch	L	E	D	B	Q	K	ØF
+223703	154,00	450,00	89,00	73,00	57,00	150,00	74,00	15,00
+223701	171,00	500,00	108,00	108,00	60,30	180,00	86,00	16,50
+223685	190,00	600,00	160,00	124,00	62,00	200,00	99,00	21,00
+223702	190,00	600,00	156,00	119,00	69,00	200,00	99,00	21,00

VEMATRAK™ CLIP-ON RUBBER PADS

VemaTrack™ clip-on pads are clamped, so to speak, around the plate.

To ensure that your clip-on pads fit the track plate of your machine, it is important to measure the track plate if it is not VemaTrack™. The profiles of track plate manufacturers can be slightly different, which means that the pads do not always fit right in between the grousers. VemaTrack™ clip-on pads always fit in combination with VemaTrack™ track plates.

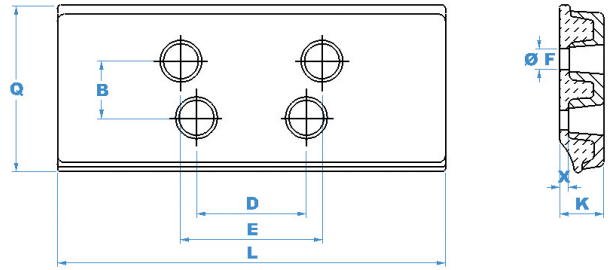


Product code	Link pitch	L	Q	G	K	R	Y	C	X
+218560	135,00	450,00	116,00	81,00	54,50	18,00	31,00	16,00	9,00
+177846	135,00	450,00	104,00	81,00	56,00	20,00	33,00	18,00	11,00
+222584	140,00	400,00	110,00	86,60	50,00	18,00	32,80	21,00	9,50
+222583	140,00	450,00	110,00	86,60	50,00	18,00	32,80	21,00	9,50
+222585	140,00	500,00	110,00	86,60	50,00	18,00	32,80	21,00	9,50
+222510	154,00	450,00	122,00	113,00	55,00	20,00	40,00	18,00	7,00
+222512	154,00	600,00	122,00	113,00	55,00	20,00	40,00	18,00	7,00
+184258	154,00	450,00	125,00	106,00	50,00	20,00	41,00	16,00	6,00
+216937	171,00	500,00	132,00	124,00	65,00	21,00	41,80	22,00	6,00
+222675	171,00	500,00	135,00	110,00	57,00	20,00	42,50	21,00	8,50
+216938	171,00	600,00	132,00	124,00	65,00	21,00	41,80	22,00	10,00
+224684	171,00	600,00	135,00	110,00	57,00	20,00	42,50	21,00	8,50
+184255	171,00	700,00	140,00	116,00	64,00	20,00	41,80	22,00	11,00
+222366	171,00	700,00	135,00	107,30	57,00	20,00	43,50	20,50	8,50
+206374	175,00	500,00	126,00	101,00	68,00	24,00	38,00	19,00	10,00
+218563	175,00	500,00	127,00	103,00	66,00	25,00	38,00	19,00	8,50
+222758	175,00	600,00	128,00	100,00	70,00	26,00	34,00	24,00	8,50
+221065	190,00	500,00	138,00	122,00	70,00	27,00	48,00	20,00	11,00
+222880	190,00	600,00	148,00	114,00	87,00	26,00	42,00	23,00	12,00
+216946	190,00	600,00	138,00	122,00	70,00	27,00	48,00	20,00	11,00
+206371	190,00	700,00	140,00	122,00	65,00	26,00	48,00	20,00	11,00
+223900	216,00	600,00	160,00	114,00	76,00	36,00	51,00	26,00	14,00
+224568	216,00	700,00	160,00	114,00	79,00	36,00	51,00	26,00	13,00

VEATRACK™ ROAD RUBBER PADS

VemaTrack™ has two variants of road pads:

- **Rubber road pads:** have more grip than polyurethane pads.
- **Polyurethane road pads:** the polyurethane is poured directly onto the track plate. This material is extremely wear-resistant, suitable for heavy machinery, has great resilience and is resistant to, for example, oils, petrol and grease.



Product code	Link pitch	L	E	D	B	Q	K	ØF	Material
+204357	140,00	265,00	86,00	86,00	52,00	163,00	50,00	12,30	Polyurethane
+204126	155,80	304,00	88,90	88,90	57,10	165,00	50,00	13,00	Polyurethane
+14055	155,80	300,00	88,90	88,90	57,10	165,00	57,00	13,00	Rubber
+204128	171,00	350,00	108,00	108,00	60,30	190,00	60,00	16,50	Polyurethane

This brochure lists the standard VemaTrack™ delivery programme, other versions are available on request. Please contact us.

VemaTRACK®

GET THE JOB DONE.

VMT International
 Den Engelsman 17
 6026 RB Maarheeze
 The Netherlands
 T +31 (0)495 43 14 10
 sales@vmtinternational.com
 www.vematrack.com